

Shio

LED

ref. **SH04-1-LD**

LED / DIMMABLE

Pendant lamp



Shio Collection



SH02



SH03



SH04



SH04-1

MATERIAL FINISHES

LAMPSHADE

Plywood

One color to choose



Top and bottom diffuser

Painted steel

CANOPY AND CABLE

Steel gloss nickel-plated and stainless steel

Black or transparent cable

LIGHT SOURCE BUILT IN

100-277V - 60Hz

16,6W 3000K 1530lm built-in
upon request 2700K 1449lm

Dimming system: 0-10 V
upon request PHASE CONTROL

OTHER TECHNICAL DATA

NET WEIGHT

7,3lb

PACKAGING

17,3x17,3x15,7in
10,5lb

ELECTRICAL FEATURES



CERTIFICATIONS



Shio

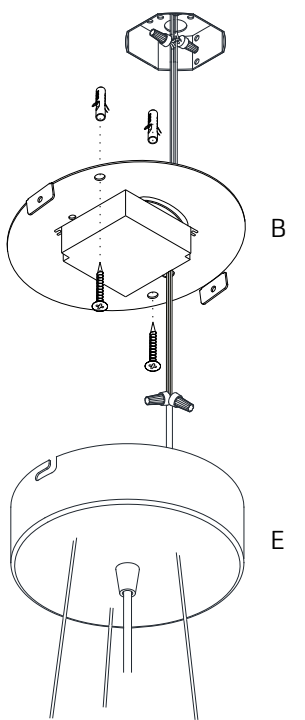
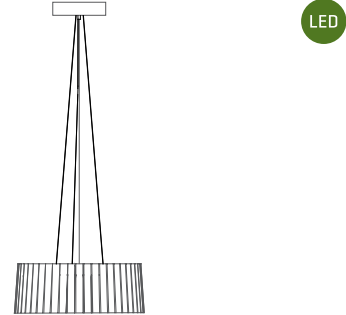
ref. **SH04-1-LD**

Suitable for indoor use, at 77°F

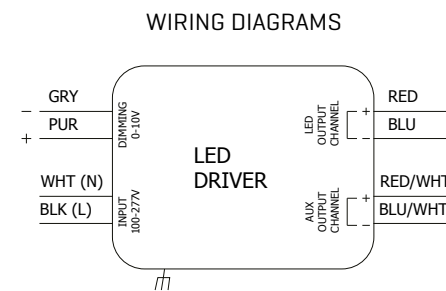
Apta para uso interior a temperatura ambiente de 77°F

Box contains | Contenido de la caja:

- | | |
|---|-----------------------------------|
| A - Lampshade Tulipa [1] | E - Canopy Florón [1] |
| B - Holding piece Pieza de sujeción [1] | F - Screws Tornillos [2] |
| C - Security screws Tornillos de seguridad [2] | G - Diffuser Difusor [1] |
| D - Electrical disposal Ficha [7] | |



1.1



1.2

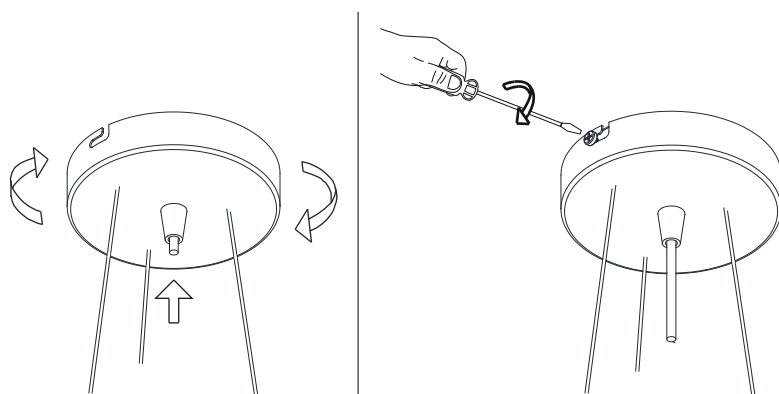
1

Please! Switch off the main current supply before start the instalation.

- 1.1 Drill the holes in the ceiling, fit the wall plugs into them and screw the holding piece.
- 1.2 Switch off the main electrical supply and do the electric connection, please follow the instructions.

¡Atención! Apague el suministro principal de corriente antes de iniciar la instalación.

- 1.1 Realizar los agujeros en el techo, colocar los tacos y atornillar la pieza de sujeción.
- 1.2 Desconectar la corriente principal y hacer la conexión eléctrica siguiendo las instrucciones.



2

Insert the canopy in the holding piece and tight the security screws.
Tighten the strain relief situated on the canopy

Encajar el florón en la pieza de sujeción y apretar los tornillos de seguridad.
Apretar el tensor del cable situado en el florón.